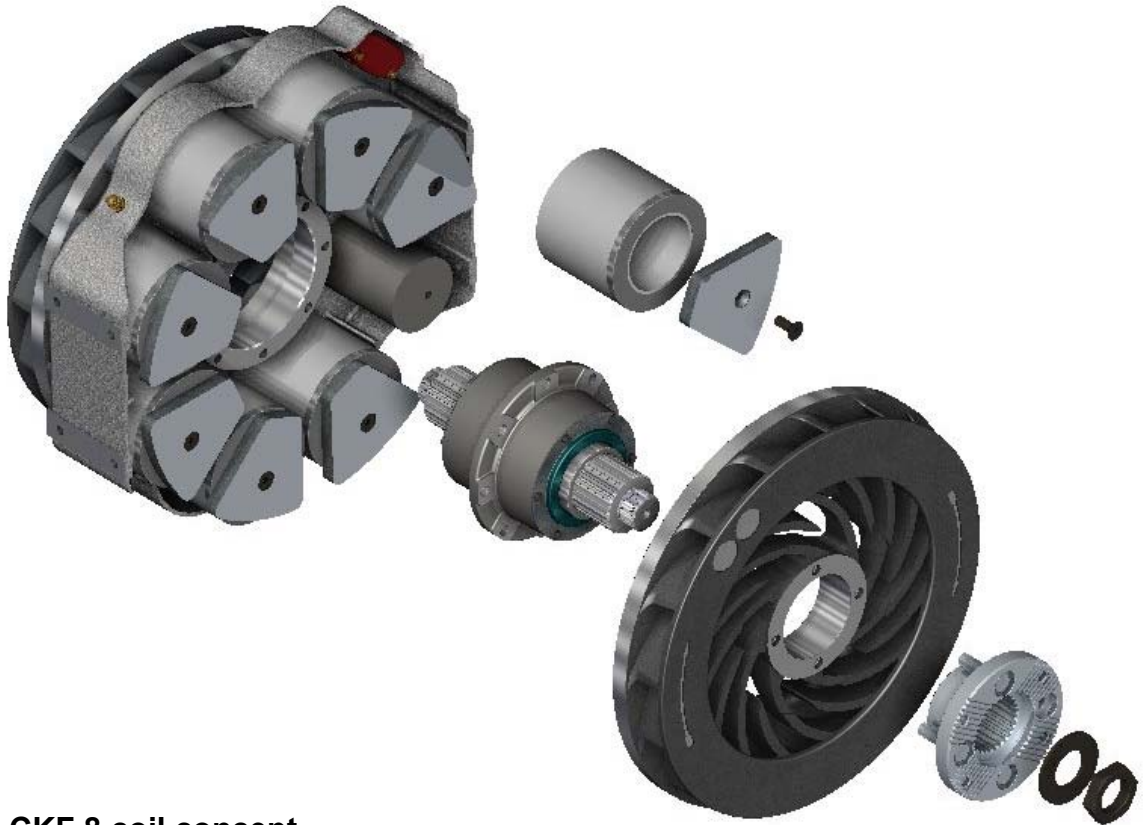




CFK Concept



CFK 8 coil concept

The **CFK concept** is suitable for driveline installation by means of a bracket system. The CFK retarder is fitted frequently at the location of the driveline support bearing.

The **CFK concept** is with 8 or 16 coils and a cast iron made stator. The stator is available in 12 and 24 VDC and has aluminium or copper coils.

The torque range of the the **CFK Series** is from 600 Nm up to 3.850 Nm, suitable for vehicles between 6 and 70 tonnes G.V.W.

The **CFK concept** is maintenance free and requires no greasing nor oil.

The **CFK concept** has been released by all major vehicle manufacturers and component suppliers.

For more information contact: Industrial Brake - 08 9248 1806