



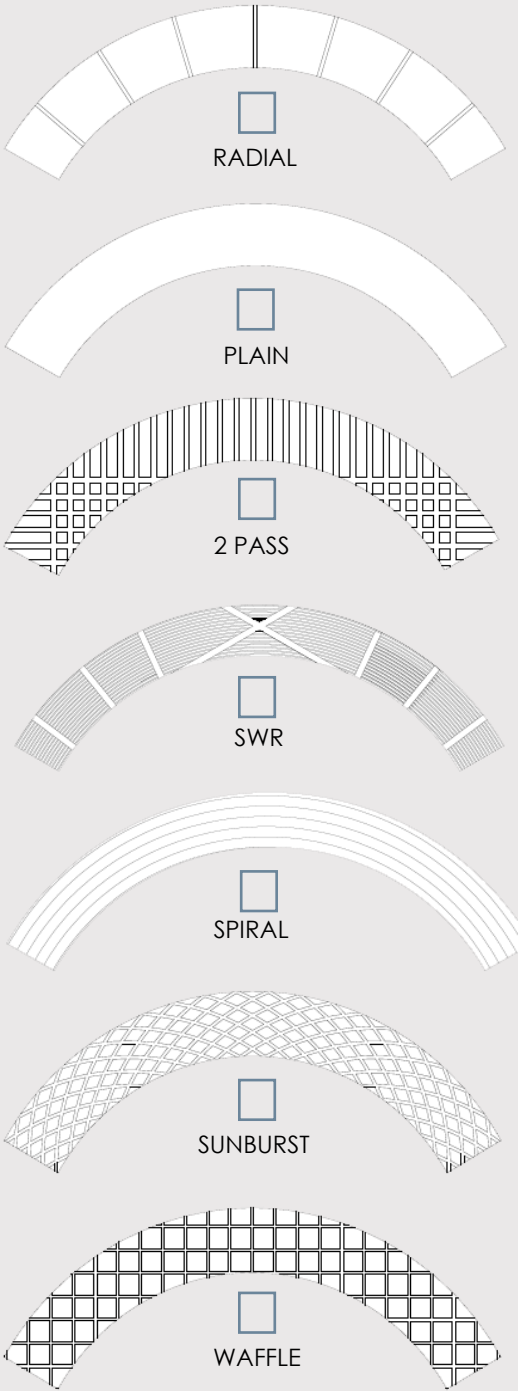
PART IDENTIFICATION

INDUSTRIAL BRAKE & FRICTION SUPPLY

PLEASE COMPLETE AS MUCH INFORMATION AS YOU CAN IN THE TABLE BELOW TO ENABLE US TO IDENTIFY THE PART THAT YOU REQUIRE:

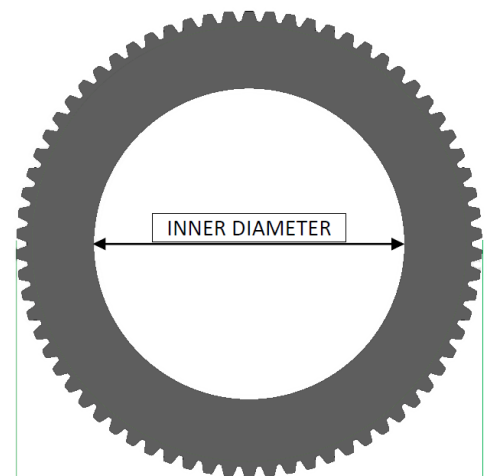
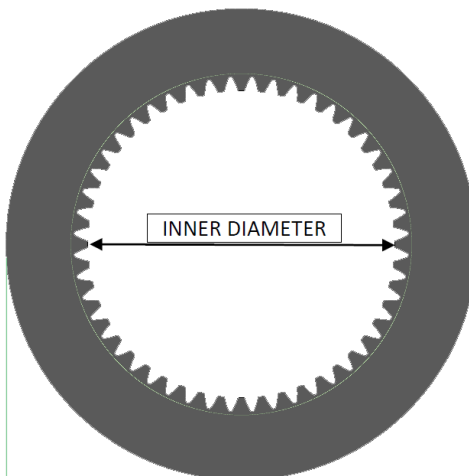
STEEL PLATE	<input type="checkbox"/>
FRICTION PLATE	<input type="checkbox"/>
INTERNAL GEARFORM	<input type="checkbox"/>
EXTERNAL GEARFORM	<input type="checkbox"/>
THICKNESS (mm)	
OUTER DIAMETER (mm)	
INNER DIAMETER (mm)	
NUMBER OF TEETH	
FRICTION MATERIAL (PAPER, BRONZE, GRAPHITE ETC)	
PART NUMBER (IF KNOWN)	
MANUFACTURER (IF KNOWN)	

Groove Pattern: tick box under picture



INTERNAL GEAR FORM

EXTERNAL GEAR FORM



CONTACT

PHONE: 08 9277 7783
 EMAIL: sales@industrialbrake.com.au